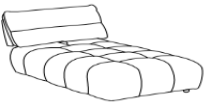



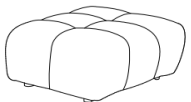


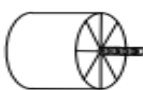
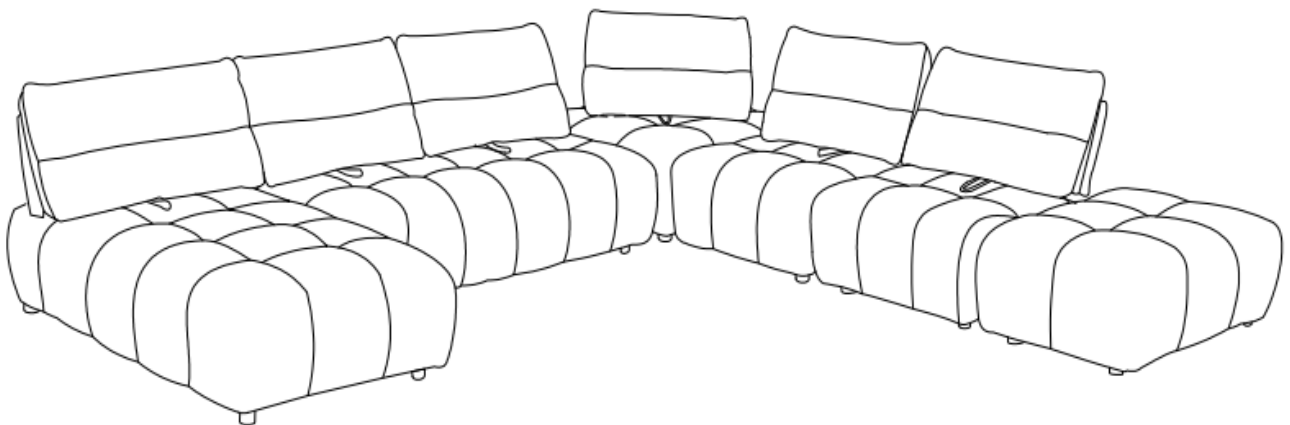


ASSEMBLY INSTRUCTION FOR ACME FURNITURE MODEL#LV04040-LV04044

Thank you for purchasing the quality product. Be sure to check all packing material carefully for small parts which may have come loose inside the carton during shipment. Separate, identify and count all parts and metal hardware. Compare with all parts list to be sure all parts are present. If any part(s) are missing or damaged, please contact your local furniture dealer. For efficient and speedy service, please indicate the model number and code letter of part(s) needed.

****Do not fully tighten screws until fully assembled****

COMPONENT PARTS		
DESCRIPTION	PART NAME	QTY(PCS)
①	CHAISE 	1PCS 1/6
②	LOVESEAT 	1PCS 2/6
③	WEDGE 	1PCS 3/6
④	ARMLESS-CHAIR 	2PCS 4/6 5/6
⑤	STOOL 	1PCS 6/6
⑥	BACKREST 	5PCS 1/6 1PCS 3/6 1PCS 4/6 1PCS 5/6 1PCS
⑦	BACKREST 	1PCS 2/6 1pc
⑧	LEG 	26PCS 1/6 5PCS 2/6 5PCS 3/6 4PCS 4/6 4PCS 5/6 4PCS 6/6 4PCS

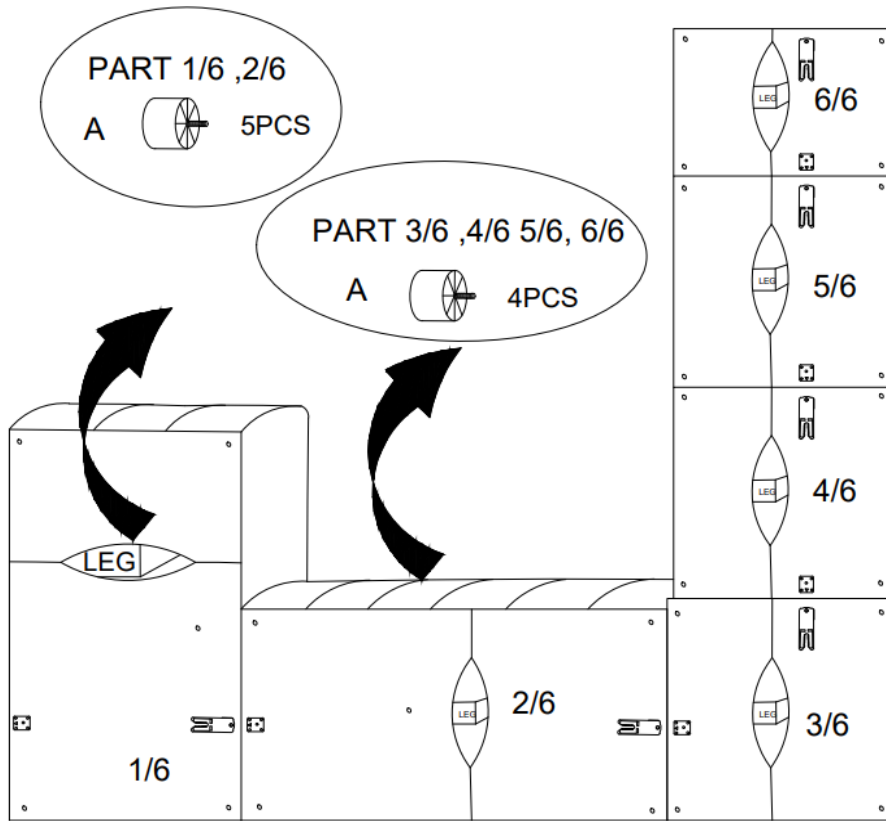


Attention

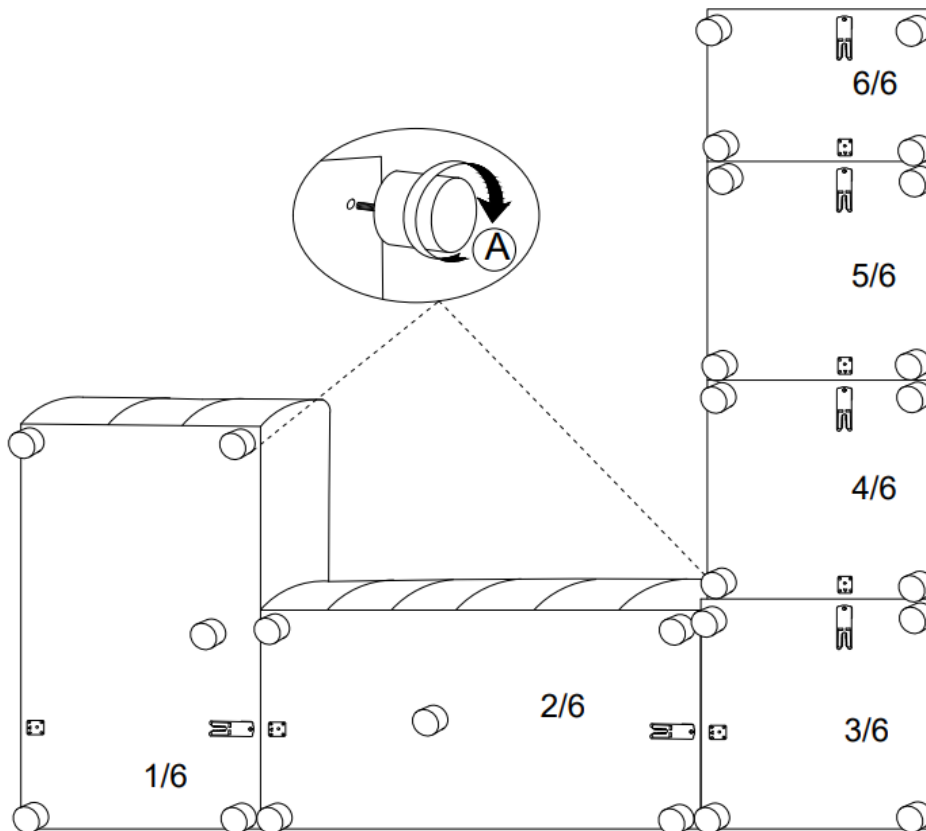
*Some number parts listed on the instruction sheet may not be in parts bag as they may already be assembled.

How to assemble:

STEP 1: Take out the legs and hardware from the sofa bottom and assembly the legs accordingly

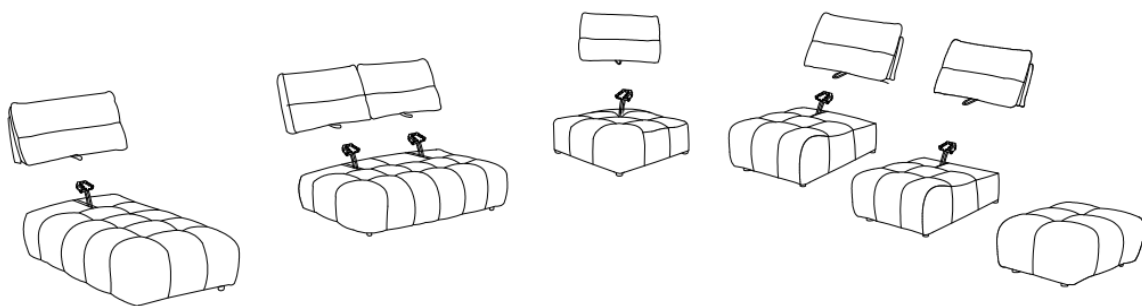
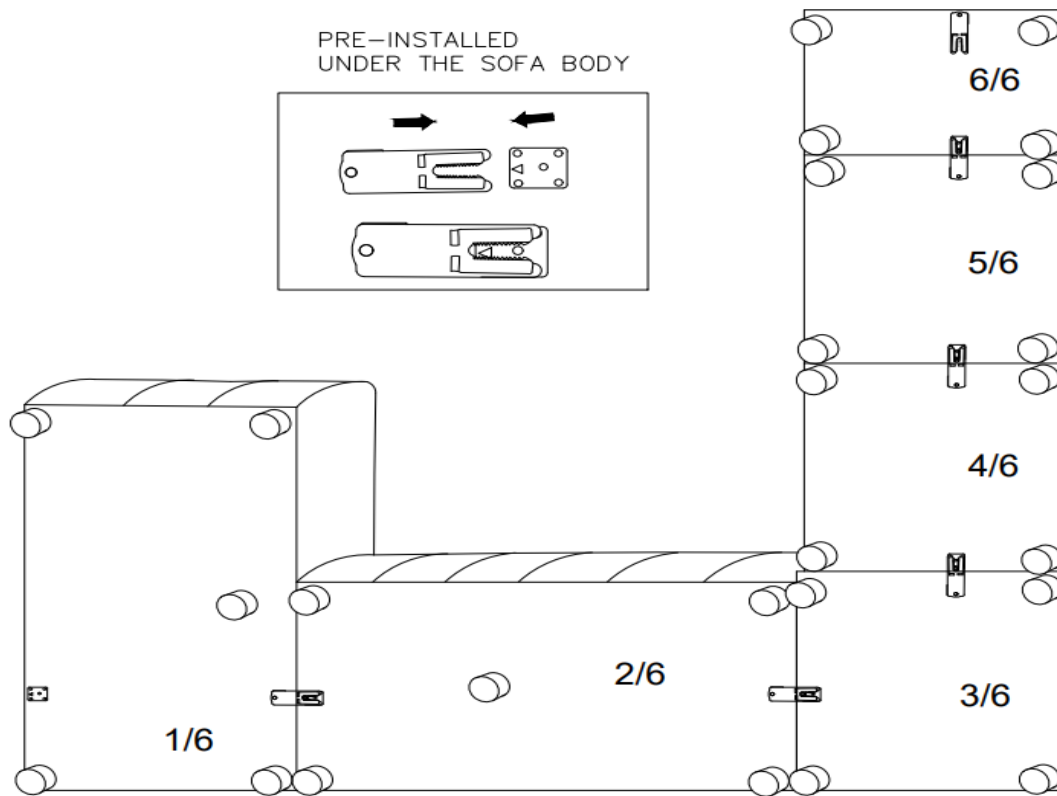


STEP 2:



How to assemble:

STEP 3:



FINISH:

